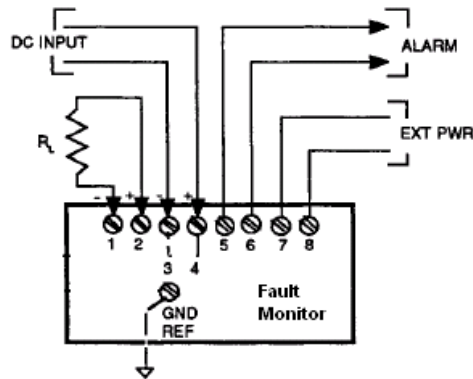


BGL / BGFT Working with Fault Monitors

Some DC battery Bus systems using Ground Fault Monitors use a ground connection (reference ground) to the bus and monitor current going through that circuit to turn on / off lamps to indicate a fault on the DC Bus.

Similar to the one pictured here.



If this Ground Ref connection is not lifted before proceeding with connection of the BGL or BGFT, it may cause inadvertent operation of protection relays.

To avoid this unwanted action, simply remove the ground ref connection from the bus prior to testing the DC Bus system using the BGL or BGFT and perform your normal testing. This is consistent with some manuals that discuss setting up the monitors for initial usage.

According to NERC Guidelines, utilities cannot interrupt the protection path to locate ground faults. However, the **ground ref connection is not in the protection path**. It is in the monitor path. By lifting that ground, for the purpose of locating the fault, the protection scheme is not compromised.

Once the fault is located simply replace the ref connection.

Megger
2621 Van Buren Avenue
Norristown, PA 19403
610-676-8563

Visit our web site at: www.megger.com